



# Quench 578

## Vivreau® Vi Tap

- Cold and hot filtered water
- Chilled sparkling water
- Touch control tap dispensing
- Ice bank cooling technology
- Hot water safety features
- Also, available as cold and sparkling only as the Quench 573



water up 

**VIVREAU®**  
ADVANCED WATER SYSTEMS

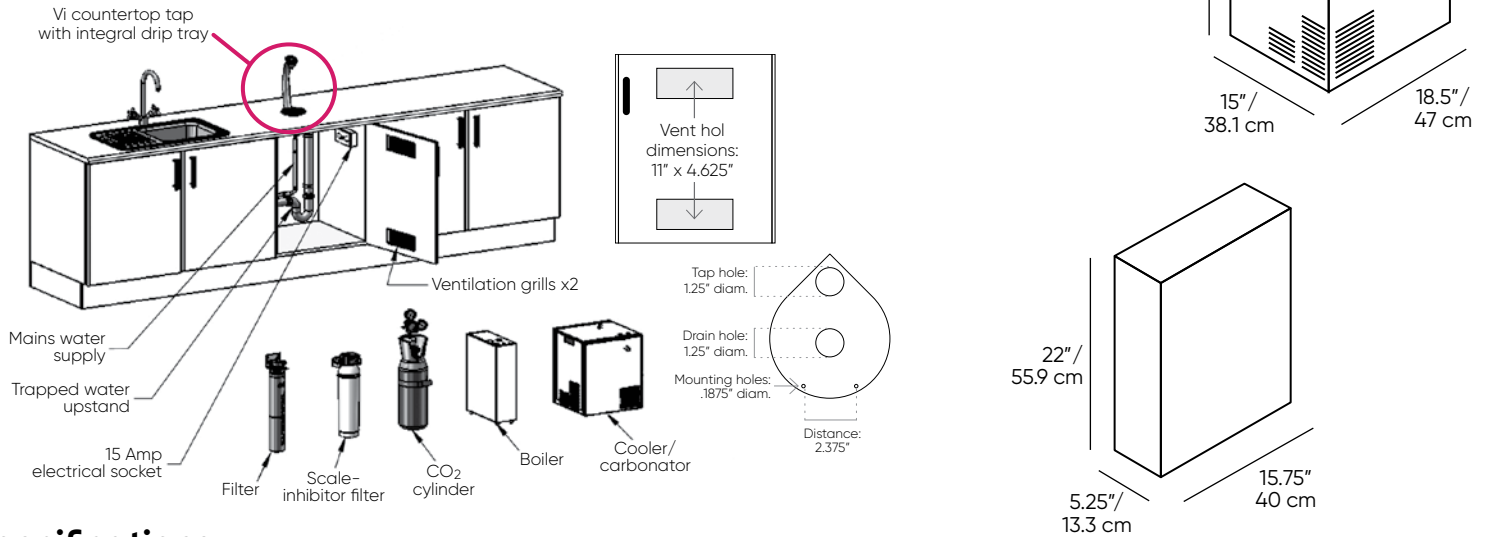
# Quench 578

Modernize your countertops with the Quench 578 Vivreau® Vi Tap. This stylish and contemporary chrome-finished countertop dispenser offers hot water instantly as well as a virtually endless supply of cold, filtered sparkling and still water via a digital touchpad. The Quench 578 is a perfect solution for a VIP lounge, staff pantry or kitchen, breakroom or high-end hospitality environment. Also available without hot water as the Quench 573.



## Vivreau® Vi Tap

- Cold and hot filtered water
- Chilled sparkling water
- Ice bank cooling technology
- Touch control tap dispensing with hot water safety feature
- Zero splash water flow
- Dispensing height of 9.6"/24.4 cm
- Stainless steel drip tray with drain
- Requires under-counter space and access
- Available without hot water as Quench 573



## Specifications

### Quench 578

|                              |  |
|------------------------------|--|
| Dimensions                   |  |
| Cabinet Space Requirements   | 30" h x 30" w x 24" d / 76.2 cm h x 76.2 cm w x 60.96 cm d                                   |
| Boiler                       | 22" h x 5.25" w x 15.75" d / 55.9 cm h x 13.3 cm w x 40 cm d                                 |
| Cooler/Carbonator            | 20" h x 15" w x 18.5" d / 50.8 cm h x 38.1 cm w x 47 cm d                                    |
| Tap Dispenser                | 13" h x 5.5" w x 6.5" d / 33 cm h x 14 cm w x 16.6 cm d (allow 6" / 15.3 cm clearance above) |
| Dispensing Height            | 9.6" / 24.4 cm   |
| Water Options                | Cold still, hot still, and cold sparkling  |
| Continuous Cold Water Supply | 21 gal / 79.5 liters per hour  |
| Hot Water Production         | 3 gal / 11.4 liters per hour   |
| Cooling Technology           | Stainless steel cooling coil   |
| Recommended Water Pressure   | 50 - 80 psi  |
| Rated Voltage/Frequency      | 120v / 60 Hz   |
| Power Consumption            | 11 amps  |
| Model                        | 578  |

### Quench 573

|                              |   |
|------------------------------|---|
| Dimensions                   |   |
| Cabinet Space Requirements   | 30" h x 24" w x 24" d / 76.2 cm h x 60.96 cm w x 60.96 cm d                                 |
| Cooler/Carbonator            | 20" h x 15" w x 18.5" d / 50.8 cm h x 38.1 cm w x 47 cm d                                   |
| Tap Dispenser                | 3" h x 5.5" w x 6.5" d / 33 cm h x 14 cm w x 16.6 cm d (allow 6" / 15.3 cm clearance above) |
| Dispensing Height            | 9.6" / 24.4 cm  |
| Water Options                | Cold still and cold sparkling   |
| Continuous Cold Water Supply | 21 gal / 79.5 liters per hour   |
| Hot Water Production         | None  |
| Cooling Technology           | Stainless steel cooling coil  |
| Recommended Water Pressure   | 50 - 80 psi   |
| Rated Voltage/Frequency      | 120v / 60 Hz  |
| Power Consumption            | 11 amps   |
| Model                        | 573   |

Quench products are certified by independent authorized 3rd party laboratories in accordance of appropriate industry standards. To find out more about which certification your product may have, please contact us.