



# Quench 555

## High-Capacity Sparkling Water Dispenser

- Cold and room temperature filtered water
- Chilled sparkling water
- Tap dispensing
- Ice bank cooling technology
- Space-saving countertop design



water up



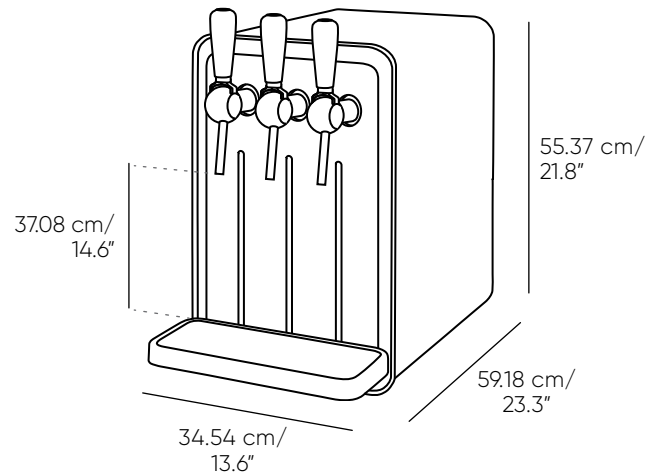
# Quench 555

Upgrade your commercial capacity filtered water dispenser with sparkling water! The Quench 555 is a contemporary commercial grade filtered still and sparkling water dispensing system. The Quench 555 offers a large dispensing area with tap dispensing, perfect for quick-filling large glasses and carafes. The Quench 555 has a cooling capacity of 20 gallons per hour – that's six 8 oz. glasses every minute!



## High-Capacity Sparkling Water Dispenser

- Cold and room temperature filtered water
- Chilled sparkling water
- Ice bank cooling technology
- Tap dispensing
- Dispensing height of 14.6" to accommodate large glasses or carafes
- Safety inlet valve for quick shut-off
- Attractive stainless steel case



## Specifications

### Quench 555

Dimensions	55.37 cm h x 34.54 cm w x 59.18 cm d / 21.8" h x 13.6" w x 23.3" d
Dispensing Height	37.08 cm / 14.6"
Weight	34.93 kg / 77 lbs
Water Options	Cold, room temperature, sparkling
Cooling Capacity	75.71 liters per hr / 20 gal per hr
Continuous Cold Water Supply	45.42 liters / 12 gallons
Cooling Technology	Ice bank
Recommended Water Pressure	50 - 80 psi
Rated Voltage/Frequency	115V/60Hz
Power Consumption	330 W - 3.2 Amps
Model Number	555

Quench products are certified by independent authorized 3rd party laboratories in accordance of appropriate industry standards. To find out more about which certification your product may have, please contact us.