

# Quench 570-FS

## Vivreau® Freestanding Main Bottler

- Cold filtered water
- Chilled sparkling water
- Tap dispensing with bottle filling capabilities
- Advanced filtration
- Ice bank cooling technology
- 100 reusable glass bottles provided



water up 

**VIVREAU®**  
ADVANCED WATER SYSTEMS

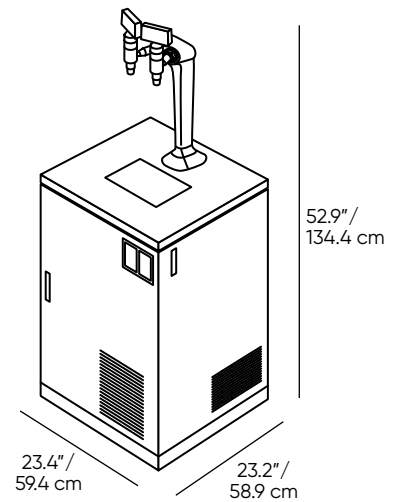
# Quench 570-FS

Upgrade your bottler with the Quench 570-FS: Vivreau<sup>®</sup> Main Bottler. This high-volume bottling system delivers chilled sparkling or still filtered water through its ice bank cooling technology, eliminating the need for single-serve bottled products. With Vivreau's reusable glass bottles, the Quench 570-FS is perfect for busy restaurants, conference centers, banquet and meeting facilities, and other high traffic venues. The Quench 570-FS is a single unit suitable for slide-in freestanding applications or as an integrated machine with sleek cobra-style dispensing taps on the countertop and the machine components installed directly below as the Quench 570i.

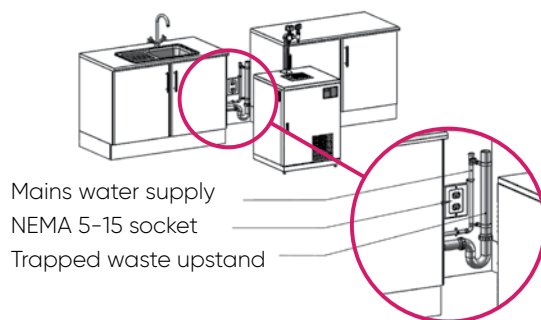


## Vivreau<sup>®</sup> Main Bottler

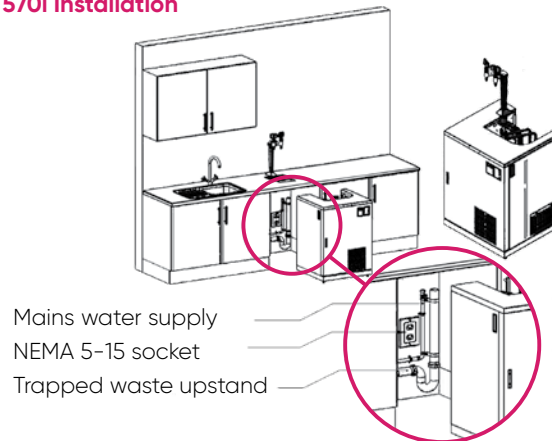
- Cold filtered and chilled sparkling water
- Ice bank cooling technology
- Dispensing height of 12.5"/31.8 cm to accommodate bottles
- 100 reusable glass bottles included
- LED control panel with alerts for CO<sub>2</sub> replacement and leak detection
- Advance filtration and CO<sub>2</sub> storage
- Stainless steel drip tray with drain
- Removable tap dispensing nozzles for easy cleaning and sanitizing
- Available as an integrated machine as the Quench 570i



### 570-FS Installation



### 570i Installation



## Specifications

Dimensions	52.9" h x 23.4" w x 23.2" d/ 134.4 cm h x 59.4 cm w x 58.9 cm d	Cooling Technology	Stainless steel cooling coil
(height measures to top of tap dispenser; allow 6"/15.24 cm clearance above)		Recommended Water Pressure	50 - 80 psi
Weight	164 lbs/74.4 kgs	Rated Voltage/Frequency	120v/60 Hz
Dispensing Height	12.5"/31.8 cm	Power Consumption	11 amps
Water Options	Cold still and sparkling water	Model	570-FS   570i
Continuous Cold Water Supply	32 gal/121 liters per hour		

Quench products are certified by independent authorized 3rd party laboratories in accordance of appropriate industry standards. To find out more about which certification your product may have, please contact us.