



Quench 979/978

Undercounter Water and Chewable Ice Dispenser

- Room temperature filtered water
- Produces up to 125 lbs of chewable compressed nugget ice in 24 hours
- Stores up to 7 lbs of chewable ice
- State-of-the-art filtration technology
- Touchscreen dispensing
- No drain required
- ADA compliant



water up



Quench 979/978

The space-saving Quench 979 undercounter ice machine will upgrade any breakroom. The Quench 979 provides an endless supply of filtered water on-demand while producing up to 125 pounds of chewable nugget ice in 24 hours. The Quench 978 is an ice-only model.

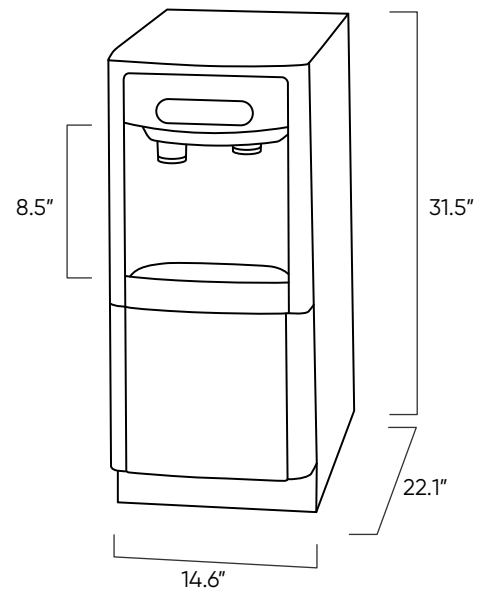


Undercounter Water and Chewable Ice Dispenser

- Chewable nugget ice maker and room temperature water dispenser
- Produces up to 125 lbs of chewable ice a day
- Stores up to 7 lbs of ice
- Advanced carbon or reverse osmosis filtration
- Drainless technology
- Undercounter design is ADA compliant
- Leak detection notification technology
- Ice-only model: Quench 978

Specifications

Dimensions	31.5" h x 14.6" w x 22.1" d for ADA compliance
Dispensing Area Height	8.5"
Weight	94 lbs
Ice Output	Up to 125 lbs/100 lbs of ice in 24 hours
Ice Storage	7 lbs
Recommended Water Pressure	10-70 psi
Rated Voltage/Frequency	115v/60Hz @ 5 amps
Power Consumption	6.9 kWh/100 lbs of ice
Drainage	Not applicable
Clearance Needed	6" in front
Model Number	978/979



Quench products are certified by independent authorized 3rd party laboratories in accordance of appropriate industry standards. To find out more about which certifications your product may have, please contact us.