

# Quench 575-CT

## Vivreau® Countertop Mini Bottler

- Cold filtered water
- Chilled sparkling water
- Tap dispensing with bottle filling capabilities
- Advanced filtration
- Ice bank cooling technology
- 60 reusable glass bottles provided



water up 

**VIVREAU®**  
ADVANCED WATER SYSTEMS

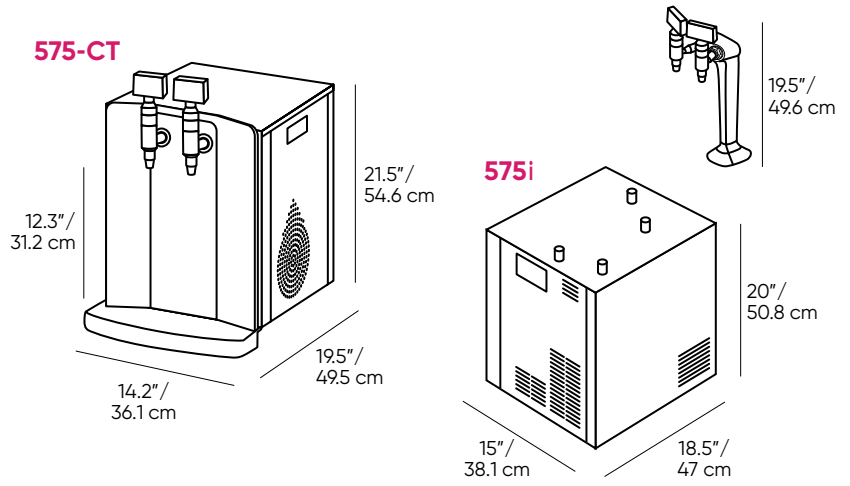
# Quench 575-CT

Upgrade your countertop bottler with the Quench 575-CT Vivreau® Mini Bottler. The Quench 575-CT dispenses an unlimited supply of chilled sparkling and still filtered water, perfect for pantries, kitchenettes, and lounges. The Quench 575-CT is a single unit suitable for installation on top of your drinking station countertop while the Quench 575i is an integrated cobra-style dispensing tap on your countertop with the machine components installed in the cabinets below.

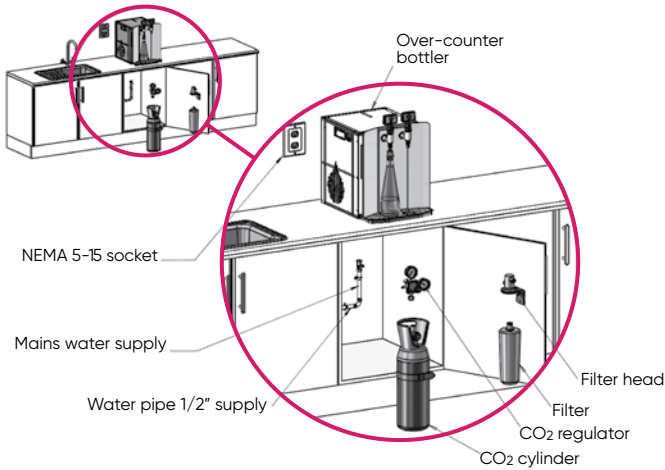


## Countertop Mini Bottler

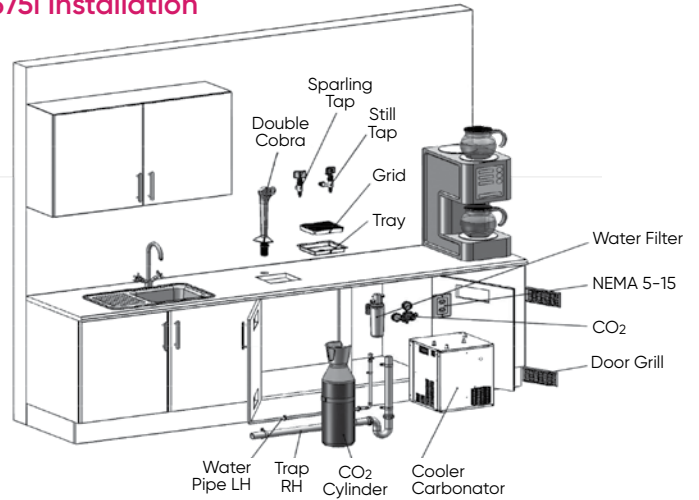
- Cold filtered water and chilled sparkling
- Ice bank cooling technology
- Dispensing height of 12.8" to accommodate bottles
- 60 reusable glass bottles included
- Equipped with alarms for CO<sub>2</sub> replacement and service requirement
- Energy-saving mode functionality
- Removable tap dispensing nozzles for easy cleaning and sanitizing
- Available as an integrated countertop machine as Quench 575i



## 575-CT Installation



## 575i Installation



## Specifications

Dimensions	
<b>575-CT:</b>	21.5" h x 14.2" w x 19.5" d / 54.6 cm h x 36.1 cm w x 49.5 cm d (height measures to top of the tap dispenser; allow 6" / 15 cm clearance above)
<b>575i:</b>	Required cabinet space: 29.5" h x 24" w x 24" d / 74.93 cm h x 60.96 cm w x 60.96 cm d (height measures to top of the tap dispenser; allow 6" / 15 cm clearance above)
Weight	72.6 lbs / 32.9 kgs
Dispensing Height	12.3" / 31.3 cm

Water Options	Cold and sparkling water
Continuous Cold Water Supply	21 gal / 79.5 liter per hour
Cooling Technology	Ice bank stainless steel cooling coil
Recommended Water Pressure	50 - 80 psi
Rated Voltage/Frequency	120V / 60 Hz
Power Consumption	8 amps
Model Number	575-CT   575i

Quench products are certified by independent authorized 3rd party laboratories in accordance of appropriate industry standards. To find out more about which certification your product may have, please contact us.