



# BEVI CT

## Flavored Water On-Demand

- Still and sparkling flavored water on-demand
- Intuitive touchscreen interface for beverage customization
- Easy-to-navigate touchless interface optional
- User selected flavor strength
- Internet-connected for hassle-free service support
- 14+ flavor options including unsweetened, zero-calorie, or lightly sweetened

water up

The bevi logo, featuring a blue circle with a white dot inside, followed by the word "bevi" in a lowercase, sans-serif font.

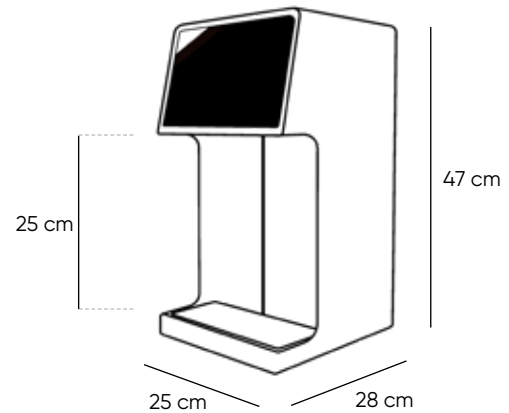
# Bevi brought to you by Quench

Improve your office hydration by offering flavored water on-demand with the Bevi smart water machine. The Bevi dispenses flavored chilled and sparkling water through an elegant and smart user experience. This smart water dispenser is also internet connected and notifies Quench technicians when a machine needs servicing. Available as a space-saving countertop machine.



## Flavored Sparkling Water

- Choose and mix from four flavors at a time
- Chilled and sparkling water
- Offers both touchless or touchscreen interface dispensing for easy customization
- Proprietary no flavor cross-contamination design
- Plumbing and hardware for Countertop model are integrated into base cabinets below



## Specifications

Dimensions	Above counter: 47cm h x 25cm w x 28cm d Under-the-counter: 71cm h x 86cm w x 61cm d (easily fits into 2 cabinets)
Weight	—
Dispensing Height	25 cm
Water Options	Sparkling and cold still with and without added flavor
Recommended Water Pressure	50 - 80 psi
Rated Voltage/Frequency	120v/60Hz
Power Consumption	6 amps (recommend dedicated electrical outlet)
Model	BEVI CT

## Flavors

- Cucumber
- Grapefruit
- Lemon
- Lime Mint
- Peach Mango
- Strawberry Lemongrass
- Watermelon

*Quench products are certified by independent authorized 3rd party laboratories in accordance of appropriate industry standards. To find out more about which certification your product may have, please contact us.*