

A tall, dark grey ION sparkling water cooler stands against a stone wall in a modern living room. The room features large windows overlooking a green landscape, a brown sofa, and a coffee table. The cooler has a touchscreen display at the top and a dispensing area below.

ION™ Sparkling Water Cooler

Freestanding and Countertop Series

- Cold, hot, room temperature filtered water
- Sparkling filtered water
- Touchscreen dispensing
- Bottless design
- Ice bank cooling technology

water up 

A dynamic splash of water in shades of blue and white against a red background. The splash is composed of many small droplets and larger bubbles, creating a sense of movement and freshness.

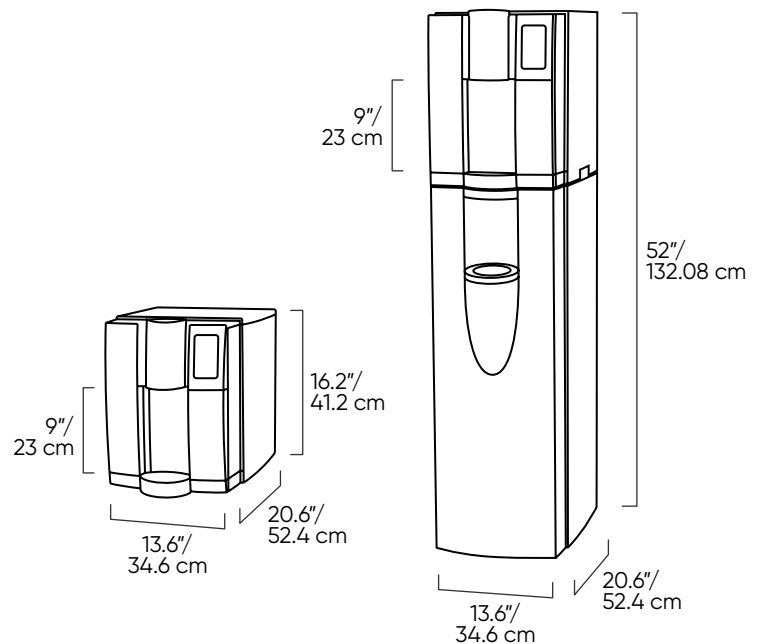
ION™ Sparkling Water Cooler

The ION™ Sparkling Bottleless Water Cooler is an innovative sparkling water dispenser that replaces all the bottled water your office could drink. This filtered water cooler dispenses cold, hot, room temperature, and sparkling water through easy-to-use touchscreen technology. Available as a tall “no-bend” freestanding model or as a space-saving countertop model.



On-Demand Sparkling Water

- InstaChill™ cold, RapidHot™ hot, and room temperature water on-demand
- Endless supply of sparkling water
- Advanced carbon filtration to remove chlorine and poor taste and odor
- UV light technology to maintain water quality
- Touchscreen technology for sanitary dispensing
- Energy-saving mode to reduce energy consumption
- Tall ergonomic “no-bend” dispensing design (Freestanding)
- Fits nicely under most cabinets (Countertop)



Specifications

ION™ Freestanding

Dimensions	52" h x 13.6" w x 20.6" d 132.08 cm h x 34.6 cm w x 52.4 cm d
Weight	60 lbs/27.22 kg
Cold Tank Capacity	8.0 gallons/30.28 liters per hour
Hot Tank Capacity	2.0 gallons/7.57 liters per hour
Dispensing Area Height	9"/23 cm
Rated Voltage/Frequency	120V/50Hz and 230V/60Hz
Power Consumption	1.6kWh/24 hours

Ion™ Countertop

Dimensions	16.2" h x 13.6" w x 20.6" d 41.2 cm h x 34.6 cm w x 52.4 cm d
Weight	43 lbs/19.5 kg
Cold Tank Capacity	8.0 gallons/30.28 liters per hour
Hot Tank Capacity	2.0 gallons/7.57 liters per hour
Dispensing Area Height	9"/23 cm
Rated Voltage/Frequency	120V/50Hz and 230V/60Hz
Power Consumption	1.6kWh/24 hours