

Quench

980-25/ 985-25

High-Capacity Water and Ice Dispenser

- Room temperature water
- Produces up to 192.78 kg/425 lbs of chewable compressed nugget ice in 24 hours
- Stores up to 11.34 kg/25 lbs of ice
- State-of-the-art filtration technology
- Sanitary touchless dispensing
- Antimicrobial surface protection



water up



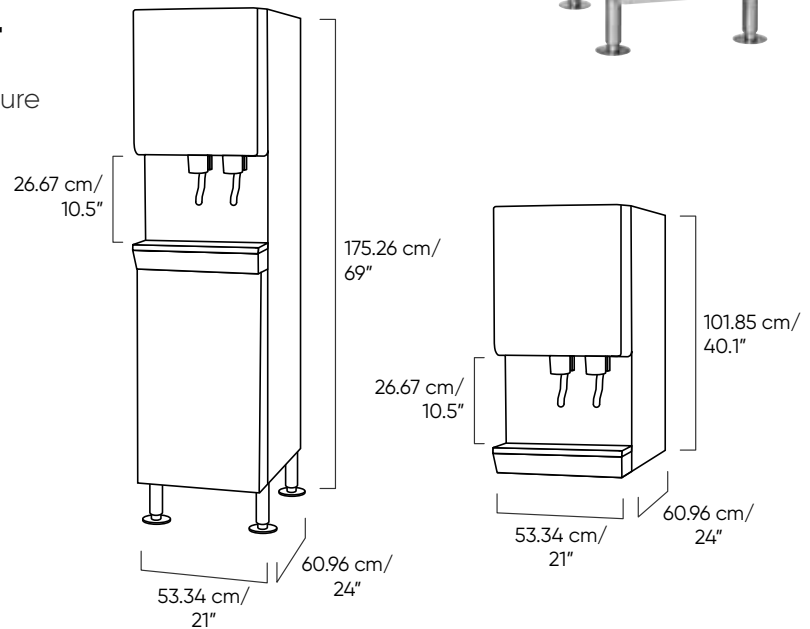
Quench 980-25/985-25

Level up with the Quench 980-25. The Quench 980-25 is a rugged water and ice dispenser that produces up to 192.78 kg/425 lbs. of chewable nugget ice in one day while storing up to 11.34 kg/25 pounds. With a large touchless dispensing area, the Quench 980-25 is a perfect upgrade for any workplace that requires rapid distribution of ice, like warehouses, distribution centers, and urgent care clinics. Want a countertop machine? We have you covered with the Quench 985-25.



High-Capacity Water and Ice Dispenser

- Chewable Chewblet® ice maker and room temperature water dispenser
- Total ice-making capability – up to 192.78 kg/425 pounds per day
- Stores up to 11.34 kg/25 lbs of ice
- Advance carbon or reverse osmosis filtration
- Antimicrobial surface protection
- Large dispensing area with lever dispensing
- Available with SensorSAFE infrared touchless dispensing technology



Specifications

Quench 980-25 (Freestanding)

Dimensions	175.26 cm h x 53.34 cm w x 60.96 cm d 69" h x 21" w x 24" d
Dispensing Area	26.67 cm / 10.5"
Weight	135.17 kg / 298 lbs
Ice Output	Up to 192.78 kg/425 lbs per 24 hrs
Ice Storage Capacity	11.34 lb / 25 lbs
Recommended Water Pressure	10-70 psi
Rated Voltage/Frequency	115v/60Hz @ 13 amps
Power Consumption	5.7 kW/100 lbs of ice
Drain Requirement	Needs to be installed within 3 m / 10 feet of a drain
Clearance Needed	7.62 cm/3" top, 7.62 cm/3" right side
Model Number	980-25

Quench 985-25 (Countertop)

Dimensions	101.85 cm h x 53.34 cm w x 60.96 cm d 40.1" h x 21" w x 24" d Height includes optional 10.41 cm/4.1" legs
Dispensing Area	10.5"
Weight	85.28 kg / 188 lbs
Ice Output	Up to 192.78 kg/425 lbs per 24 hrs
Ice Storage Capacity	25 lbs
Recommended Water Pressure	10-70 psi
Rated Voltage/Frequency	115v/60Hz @ 13 amps
Power Consumption	5.7 kW/100 lbs of ice
Drain Requirement	Needs to be installed within 3 m / 10 feet of a drain
Clearance Needed	7.62 cm/3" top, 7.62 cm/3" right side
Model Number	985-25

Quench products are certified by independent authorized 3rd party laboratories in accordance of appropriate industry standards. To find out more about which certifications your product may have, please contact us.