



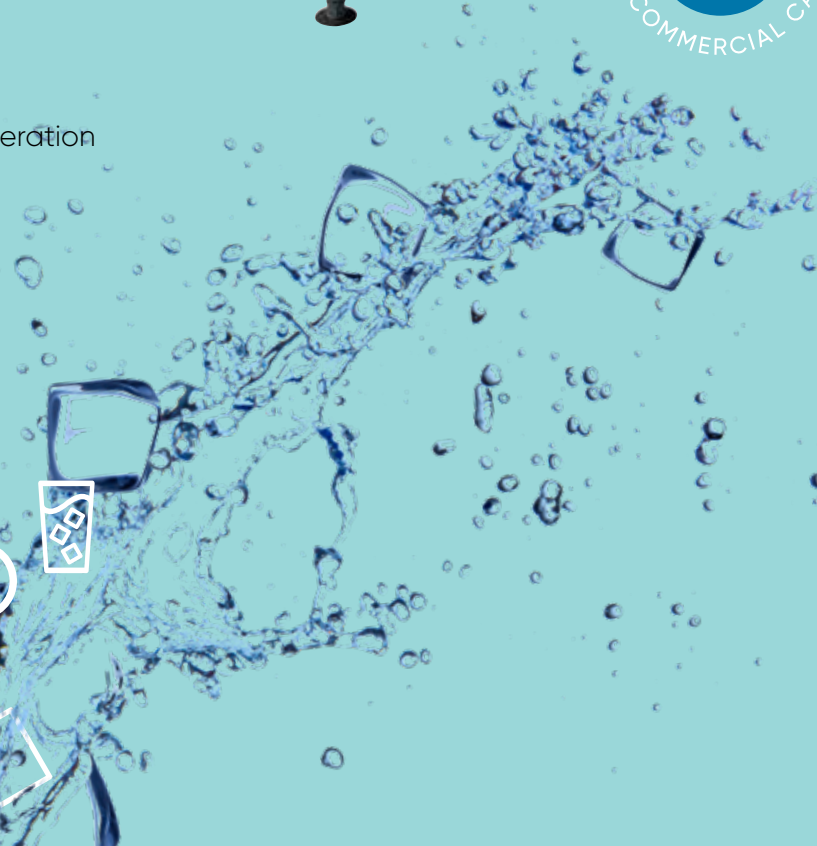
Quench 905

Undercounter Bin Ice Machine

- High capacity ice making of up to 99.79 kg/day; 220 lbs/day
- Ice storage of 40.82 kg/90 lbs
- Clear half-dice ice cubes
- Space-saving undercounter design
- Intelligent diagnostics for trouble-free operation
- Programmable ice production
- State-of-the-art filtration



water up



Quench 905

Level up your undercounter bin ice machine with the space-saving Quench 905! The Quench 905 delivers up to 99.79 kg/220 pounds of clean, clear ice every day with 40.82 kg/90 pounds of storage space. The Quench 905's intelligent diagnostics offers trouble-free, dependable operations and ice production monitoring. The Quench 905 compact design and fingerprint resistant stainless-steel finish offers easy access for cleaning and service.

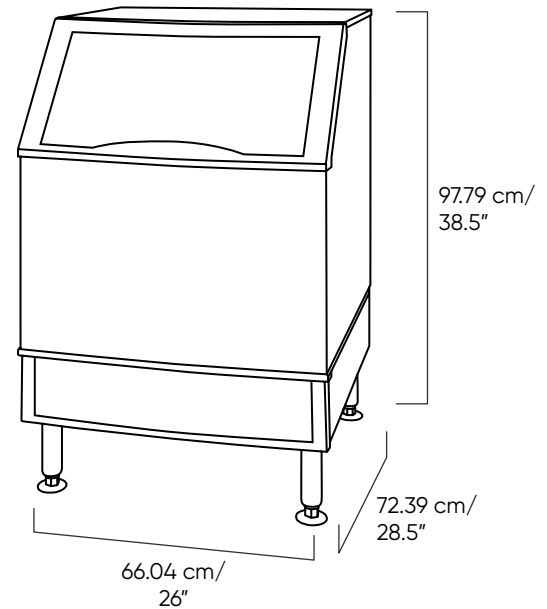


Contemporary Design with Advance Features

- Space-saving undercounter design
- High-capacity ice production of up to 99.79 kg/day; 220 lbs/day
- Ice storage of up to 40.82 kg/90 lbs
- State-of-the-art filtration
- Intelligent diagnostics for trouble-free operation
- Programmable ice production and bin level control
- Stainless steel finish resists finger prints and dirt
- Luminice™ bacteria inhibitor
- Easy access for cleaning and service
- Reverse osmosis filtration (optional)

Specifications

Dimensions	97.79 cm h x 66.04 cm w x 72.39 cm d 38.5" h x 26" w x 28.5" d
Weight	71.99 kg / 158.7 lbs
Ice Storage Capacity	40.82 kg / 90 lbs
Ice Output	99.79 kg/220 lbs per 24 hrs
Recommended Water Pressure	20-80 psi
Electrical Requirement	Dedicated 110V - 120V/15amp breaker
Drain Requirement	Needs to be installed within 3 meters/ 10 feet of a drain
Power Consumption	7.8 kWh/45.36 kg (100 lbs) of ice production
Water Consumption	16 gal/100 lbs of ice production
Clearance	12.7 cm/5" top, sides, and back
Model Number	905



Quench products are certified by independent authorized 3rd party laboratories in accordance of appropriate industry standards. To find out more about which certifications your product may have, please contact us.