



Naturizzato Americana 170

- Chilled sparkling water
- Freshly filtered cold and ambient drinking water
- Tap dispensing with bottle filling capabilities of up to 170 liters per hour
- UV light and anti-contamination technology to maintain water cleanliness
- Ice bank cooling technology to keep up with demand
- 48 reusable glass bottles provided



water up 



naturizzato®

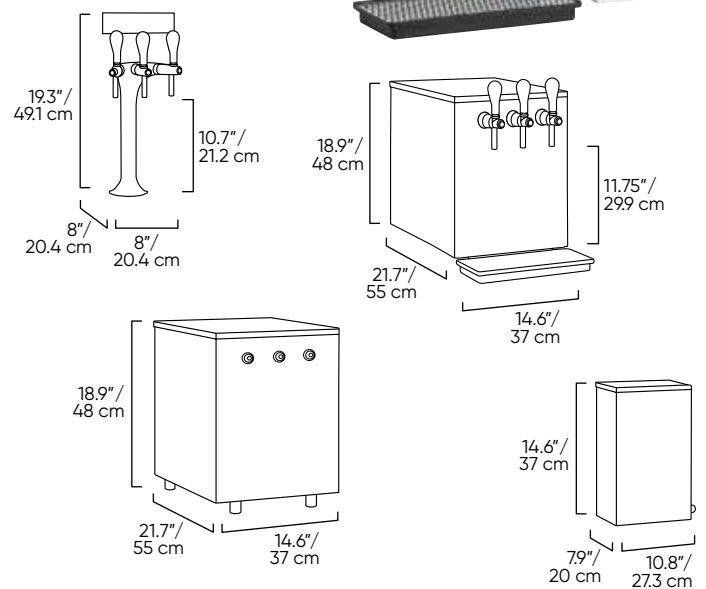
Naturizzata Americana 170

Enhance your countertop bottler with the Naturizzata Americana 170 sparkling water dispenser! With its easy-to-use pull tap dispensing, the Naturizzata Americana 170 can produce up to 170 liters of chilled still or sparkling water per hour, perfect for busy restaurants, bars, and catering operations. The Naturizzata Americana 170 uses UV and anti-contamination technology to ensure water cleanliness and hygienic usage. The Naturizzata Americana 170 is a single unit suitable for installation on top of your drinking station countertop while the Naturizzata Americana 170 Tower is an integrated cobra-style dispensing tap on your countertop with the machine components installed in the cabinets below.



Countertop Bottle Filling Sparkling Water Dispenser

- Cold, ambient, and chilled sparkling water on-demand
- Tap dispensing
- Dispense height almost 12" to accommodate bottles and carafes
- UV and anti-contamination technology to maintain cleanliness
- Attractive stainless-steel case
- Requires undercounter space and access
- 48 reusable glass bottles provided
- Available as countertop machine and as integrated tap system installed into the cabinet and countertop as Naturizzata Americana 170 Tower



Specifications

Naturizzata Americana 170

Dimensions Above Counter	18.9" h x 14.6" w x 21.7" d/ 48 cm h x 37 cm w x 55 cm d (height measures to top of the tap)
Dimensions Undercounter	14.6" h x 10.8" w x 7.9" d/ 37 cm h x 27.3 cm w x 20 cm d
Dispense height	11.75" / 29.9 cm
Above Counter Weight	110 lbs / 50 kgs
Undercounter Weight	16.6 lbs / 7.5 kgs
Water Options	Cold, ambient, chilled sparkling
Cooling Capacity	45 gal / 170 liters
Recommended Water Pressure	36 – 51 psi
Rated Voltages/Frequency	115V / 60Hz
Power Consumption	7 amps
Model	Naturizzata Americana 170

Naturizzata Americana 170 Tower

Dimensions Above Counter	19.3" h x 8" w x 8" d/ 49.1 cm h x 20.4 cm w x 20.4 cm d (Please leave about 5" / 12.7 cm above the tower for tap usage)
Dimensions Undercounter	Chiller: 18.9" h x 14.6" w x 21.7" d/ 48 cm h x 37 cm w x 55 cm d Naturalization unit: 14.6" h x 10.8" w x 7.9" d/ 37 cm h x 27.3 cm w x 20 cm d
Dispense height	10.7" / 21.2 cm
Above Counter Weight	5 lbs / 2.27 kgs
Undercounter Weight	Chiller: 110 lbs / 50 kgs Naturalization unit: 16.6 lbs / 7.5 kg
Water Options	Cold, ambient, chilled sparkling
Cooling Capacity	45 gal / 170 liters
Recommended Water Pressure	36 – 51 psi
Rated Voltages/Frequency	115V / 60Hz
Power Consumption	7 amps
Model	Naturizzata Americana 170 Tower

Quench products are certified by independent authorized 3rd party laboratories in accordance of appropriate industry standards. To find out more about which certification your product may have, please contact us.