

# Quench 1040

## Commercial Ice Bagging Dispenser

- Produces up to 493 kg/1,087 lbs. of crescent ice cubes in 24 hours
- Ice storage of up to 408.23 kg/900 lbs.
- All stainless steel construction with insulated bin
- Hands-free dispensing with foot pedal
- Available with resting stand or dispensing chute



water up



# Quench 1040

The Quench 1040 will take your commercial ice dispensing to the next level! The Quench 1040 produces up to 493 kg/1,087 lbs. of crescent ice cubes in 24 hours and stores up to 408.23 kg/900 lbs. Its stainless-steel agitator ensures quick dispensing: 27.22 kg/60 lbs. in 60 seconds! The Quench 1040 keeps hygiene at the forefront with Quench's advanced filtration technology, stainless steel construction as well as touchless foot pedal dispensing. The Quench 1040 is serviceable from the front and rear making for easy troubleshooting and cleaning.

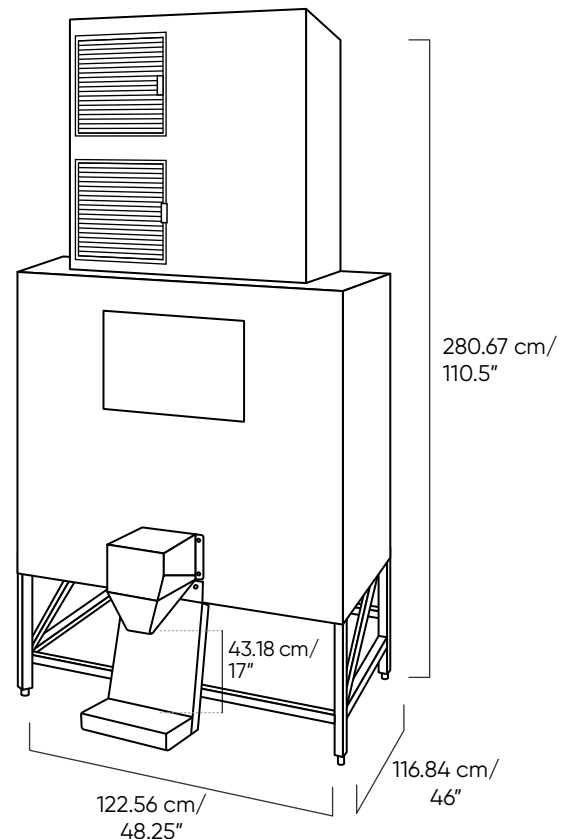


## Quench 1040 Features:

- Produces up to 493 kg/1,087 lbs. crescent ice cubes
- Ice storage of up to 408.23 kg/900 lbs.
- Touchless foot pedal dispensing
- State-of-the-art carbon or reverse osmosis filtration
- Front or rear serviceability for trouble-free access
- Large 143.18 cm/7" dispense height, perfect for most Igloo® storage containers
- Available with resting stand or dispensing chute

## Specifications

Dimensions	280.67 cm h x 122.56 cm w x 116.84 cm d 110.5" h x 48.25" w x 46" d
Dispensing Area	43.18 cm / 17"
Weight	333.39 kg / 735 lbs.
Ice Output	493 kg / 1,087 lbs.
Ice Storage Capacity	408.23 kg / 900 lbs.
Recommended Water Pressure	40-80 psi
Electrical Requirement	1 dedicated 115V/15-amp circuit 1 dedicated 203-230V/20-amp NEMA 6-20
Power Consumption	4.90 kWh per 45.36 kg/100 lbs. of ice production
Drain Requirement	Needs to be installed within 3 meters / 10 feet of a drain
Water Consumption	71.92 liters/19 gal per 45.36 kg/100 lbs. of ice production
Clearance	30.48 cm/12" back and 15.24 cm/6" for sides and top
Model Number	1040



Quench products are certified by independent authorized 3rd party laboratories in accordance with appropriate industry standards. To find out more about which certifications your product may have, please contact us.