



# Quench

## 960-16/ 965-16



### Bottlefree Water Cooler and Ice Dispenser

- Filtered ambient and hot drinking water and chewable ice
- Produces up to 165 lbs. of chewable compressed nugget ice in 24 hours\*
- Stores up to 16 lbs. of chewable ice
- State-of-the-art filtration technology
- In-tank and in-storage bin LED UV to maintain cleanliness
- Touchless pedal or sensor dispensing conversion available
- Available as a freestanding model or as a space-saving countertop

water up 



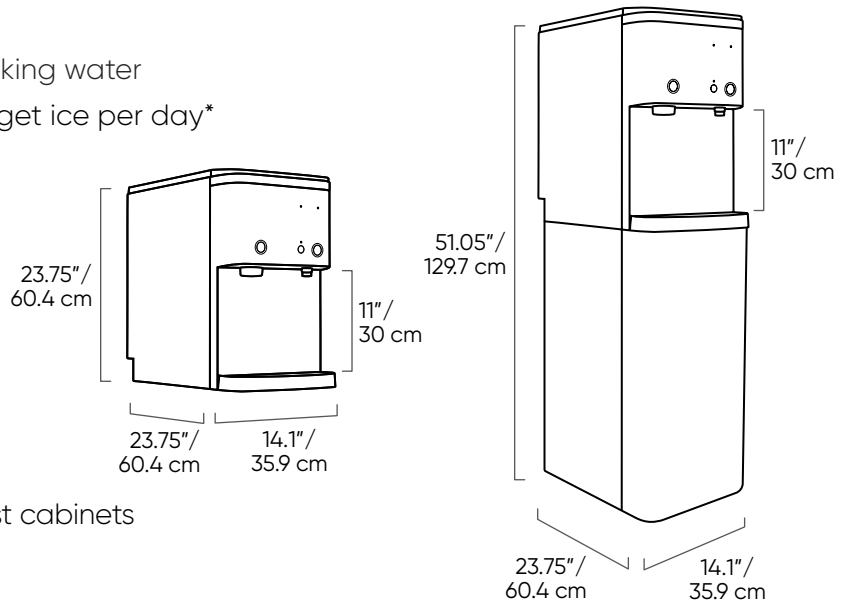
# Quench 960-16/965-16

Elevate your breakroom water and ice with the Quench 960-16! The Quench 960-16 water and ice dispenser produces up to 165 lbs. of high-quality chewable ice nuggets while providing freshly filtered ambient and hot drinking water. With its taller “no-bend” ergonomic design, the Quench 960-16 is an attractive addition to any workplace location – break room, kitchen, or hallway. The Quench 960-16 also offers peace of mind with in-tank UV to maintain water cleanliness and prevent cross-contamination. The Quench 960-16 is also available as a compact space-saving countertop model, the Quench 965-16. Water up with the Quench 960-16!



## Bottlefree Water Cooler & Ice Dispenser

- State-of-the-art Quench filtration
- Single spout for room temperature and hot drinking water
- Produces 165 lbs. of chewable compressed nugget ice per day\*
- Stores up to 16 lbs. of ice
- Hot water safety dispensing
- Optional drainless installation
- Leak detection technology
- Touchless dual pedal dispensing or sensor interface conversion available
- Taller ergonomic “no-bend” dispensing design (freestanding model)
- Countertop model Quench 965-16 fits under most cabinets



## Specifications

### Quench 960-16 (Freestanding)

Dimensions	51.05" h x 14.1" w x 23.75" d / 129.7 cm h x 35.9 cm w x 60.4 cm d
Dispensing Area Height	11"/30 cm
Weight	131 lbs/59.5 kgs
Ice Output	165 lbs/74.9 kg in 24 hours
Ice Storage	16 lbs/7.3 kg
Recommended Water Pressure	30 - 70 PSI
Rated Voltage/Frequency	120V/60Hz
Power Consumption	4.9 amps (565 W)
Drainage	Drainless Technology available in low TDS environments (<150 ppm)
Clearance	5" sides, rear; Access to the top is required for service
Model Number	960-16

### Quench 965-16 (Countertop)

Dimensions	23.75" h x 14.1" w x 23.75" d / 60.4 cm h x 35.9 cm w x 60.4 cm d
Dispensing Area Height	11"/30 cm
Weight	99 lbs/45 kg
Ice Output	165 lbs/74.9 kg in 24 hours
Ice Storage	16 lbs/7.3 kg
Recommended Water Pressure	30 - 70 PSI
Rated Voltage/Frequency	120V/60Hz
Power Consumption	4.9 amps (565 W)
Drainage	Drainless Technology available in low TDS environments (<150 ppm)
Clearance	5" sides, rear; Access to the top is required for service
Model Number	965-16

Quench products are certified by independent authorized 3rd party laboratories in accordance of appropriate industry standards. To find out more about which certifications your product may have, please contact us.

\* Ice production can change based on source water temperature and ambient air temperature.