



Quench 980-90

High-Capacity Water and Ice Dispenser

- Room temperature water
- Produces up to 192.78 kg/425 lbs of chewable nugget ice
- Stores up to 40.82 kg/90 lbs of ice
- State-of-the-art filtration technology
- Sanitary touchless dispensing
- Antimicrobial surface protection

water up



Quench 980-90

Level up your ice game with the Quench 980-90! The Quench 980-90 is a rugged, high-capacity ice and water dispenser that produces up to 192.78 kg/425 pounds of chewable nugget ice in 24 hours and stores up to 40.82 kg/90 pounds. The Quench 980-90 features sanitary touchless dispensing which is perfect for a workplace that requires a large volume of ice quickly, including any warehouse, healthcare environment, or cafeteria.

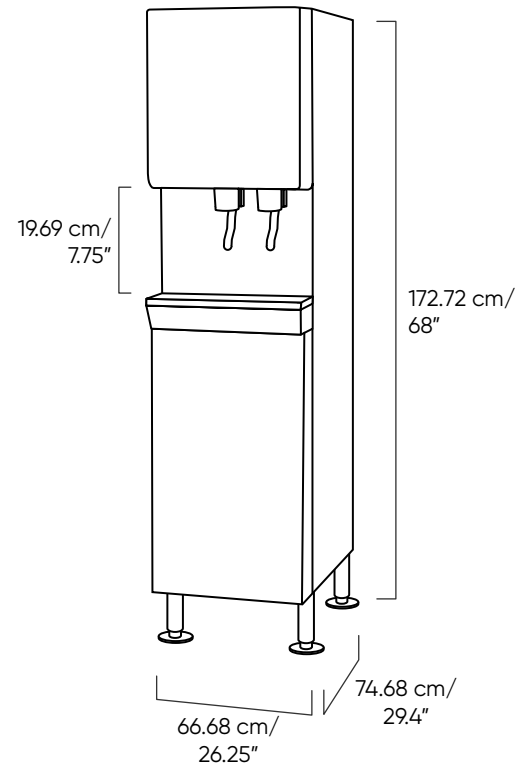


High-Capacity Water and Ice Dispenser

- Chewable Chewblet® ice maker and room temperature water dispenser
- Total ice-making capability – up to 192.78 kg/425 pounds per day
- Stores up to 40.82 kg/90 lbs of ice
- Advanced carbon or reverse osmosis filtration
- Antimicrobial surface protection
- Large dispensing area with lever dispensing
- Available with SensorSAFE infrared touchless dispensing technology

Specifications

Dimensions	172.72 cm h x 66.68 cm w x 74.68 cm d 68" h x 26.25" w x 29.4" d
Dispensing Area	19.69 cm / 7.75"
Weight	114.76 cm / 253 lbs
Ice Output	Up to 192.78 kg/425 lbs per 24 hrs
Ice Storage Capacity	40.82 kg / 90 lbs
Recommended Water Pressure	10-70 psi
Rated Voltage/Frequency	115v/60Hz @ 13 amps
Power Consumption	5.7 kW/100 lbs of ice
Drain Requirement	Needs to be installed within 3 meters/10 feet of a drain
Clearance Needed	15.24 cm/6" top, 10.16 cm/4" back
Model Number	980-90



Quench products are certified by independent authorized 3rd party laboratories in accordance of appropriate industry standards. To find out more about which certifications your product may have, please contact us.