



# Quench

## 980-50/ 985-50

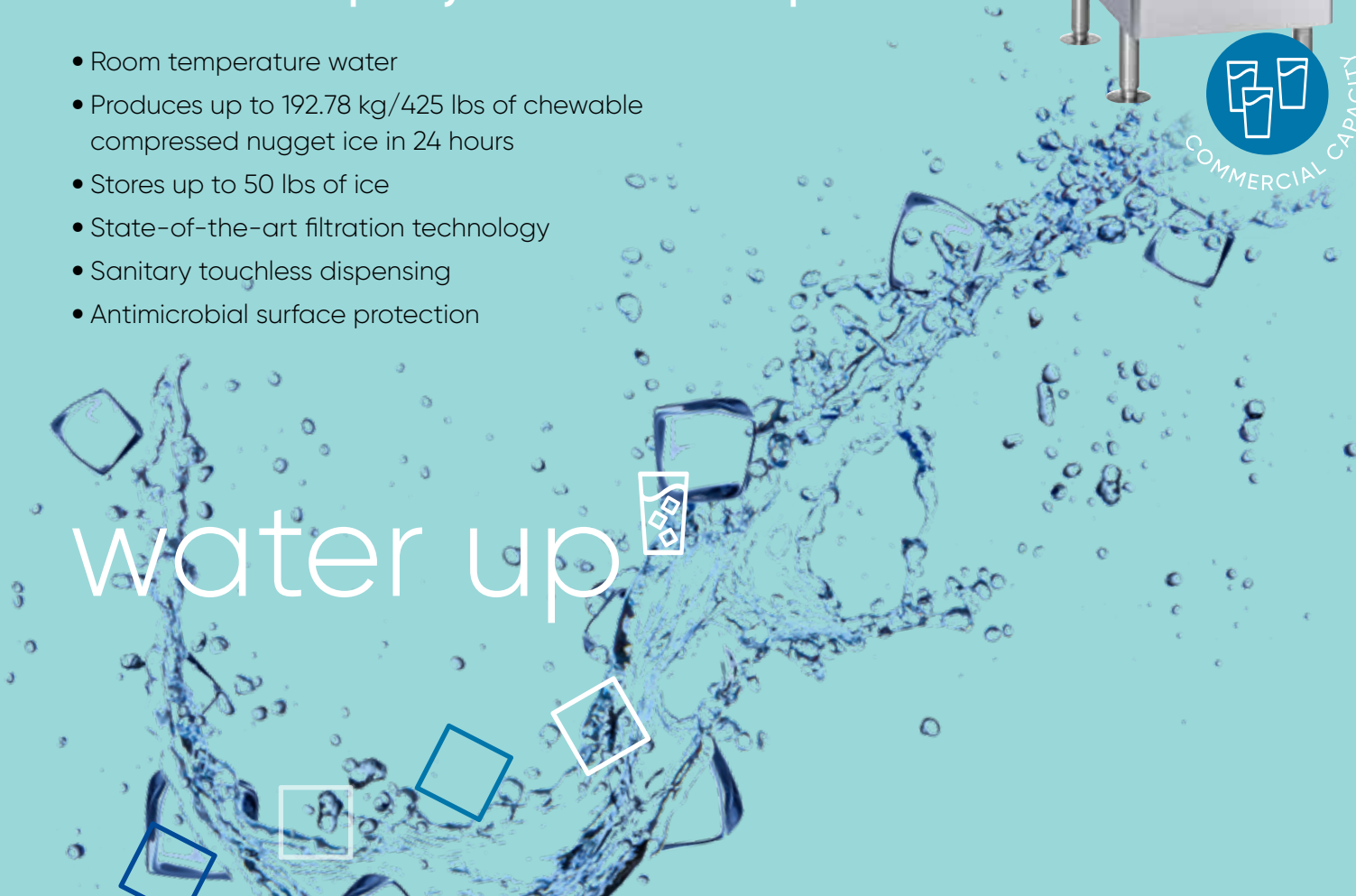


### Commercial Capacity Water and Ice Dispenser

- Room temperature water
- Produces up to 192.78 kg/425 lbs of chewable compressed nugget ice in 24 hours
- Stores up to 50 lbs of ice
- State-of-the-art filtration technology
- Sanitary touchless dispensing
- Antimicrobial surface protection



water up



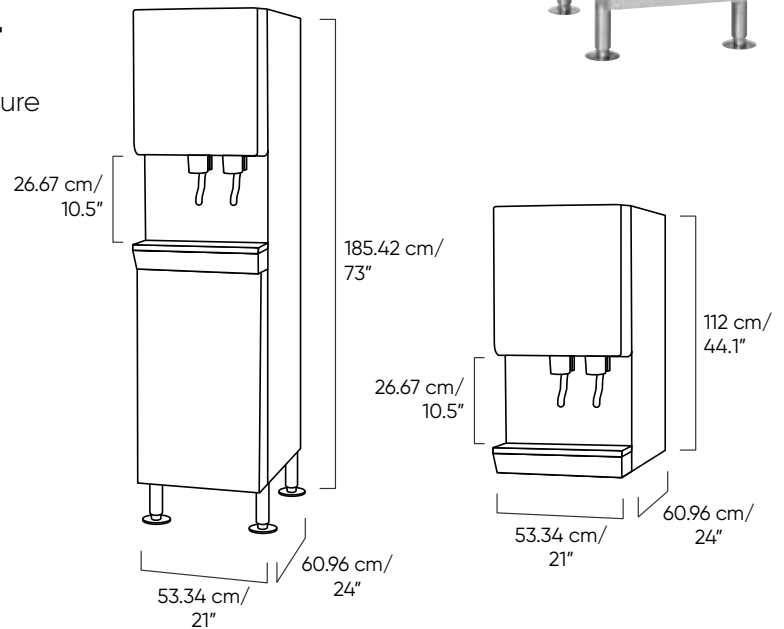
# Quench 980-50/985-50

Level up your ice storage with the Quench 980-50! The Quench 980-50 is a commercial capacity ice and water dispenser that produces up to 192.78 kg/425 pounds of chewable nugget ice in one day while storing up to 22.68 kg/50 pounds. The Quench 980-50 also features a large dispensing area with touchless dispensing. The Quench 985-50 is the same machine as a space-saving countertop model.



## High-Capacity Water and Ice Dispenser

- Chewable Chewblet® ice maker and room temperature water dispenser
- Total ice-making capability – up to 192.78 kg/425 pounds per day
- Stores up to 22.68 kg/50 lbs of ice
- Advanced carbon or reverse osmosis filtration
- Antimicrobial surface protection
- Large dispensing area with lever dispensing
- Available with SensorSAFE infrared touchless dispensing technology



## Specifications

### Quench 980-50 (Freestanding)

Dimensions	185.42 cm h x 53.34 cm w x 60.96 cm d 73" h x 21" w x 24" d
Dispensing Area	26.67 cm / 10.5"
Weight	135.17 kg / 298 lbs
Ice Output	Up to 192.78 kg/425 lbs per 24 hrs
Ice Storage Capacity	22.68 kg / 50 lbs
Recommended Water Pressure	10-70 psi
Rated Voltage/Frequency	115v/60Hz @ 13 amps
Power Consumption	5.7 kW/100 lbs of ice
Drain Requirement	Needs to be installed within 3 m / 10 feet of a drain
Clearance Needed	7.62 cm/3" top, 7.62 cm/3" right side
Model Number	980-50

### Quench 985-50 (Countertop)

Dimensions	112 cm h x 53.34 cm w x 60.96 cm d 44.1" h x 21" w x 24" d Height includes optional 10.41 cm/4.1" legs
Dispensing Area	26.67 cm / 10.5"
Weight	85.28 kg / 188 lbs
Ice Output	Up to 192.78 kg/425 lbs per 24 hrs
Ice Storage Capacity	22.68 kg / 50 lbs
Recommended Water Pressure	10-70 psi
Rated Voltage/Frequency	115v/60Hz @ 13 amps
Power Consumption	5.7 kW/100 lbs of ice
Drain Requirement	Needs to be installed within 3 m / 10 feet of a drain
Clearance Needed	7.62 cm/3" top, 7.62 cm/3" right side
Model Number	985-50

Quench products are certified by independent authorized 3rd party laboratories in accordance of appropriate industry standards. To find out more about which certifications your product may have, please contact us.