



Quench 998

Commercial Bin Ice Machine

- Produces up to 280.82 kg/575 lbs of half-dice ice in a day
- Ice storage of 241.32 kg/532 lbs
- Programmable ice production
- Intelligent diagnostics for trouble-free operation
- Stainless steel finish resists fingerprints and dirt



water up

Quench 998

Upgrade your bin ice machine with the Quench 998! This space-saving compact bin ice machine delivers up to 280.82 kg/575 pounds of half-dice ice a day while storing 241.32 kg/532 pounds. The Quench 998 offers state-of-the-art diagnostic technology for dependable operation and ice production monitoring. The Quench 998's stainless steel finish resists fingerprints and dirt for easy cleaning.

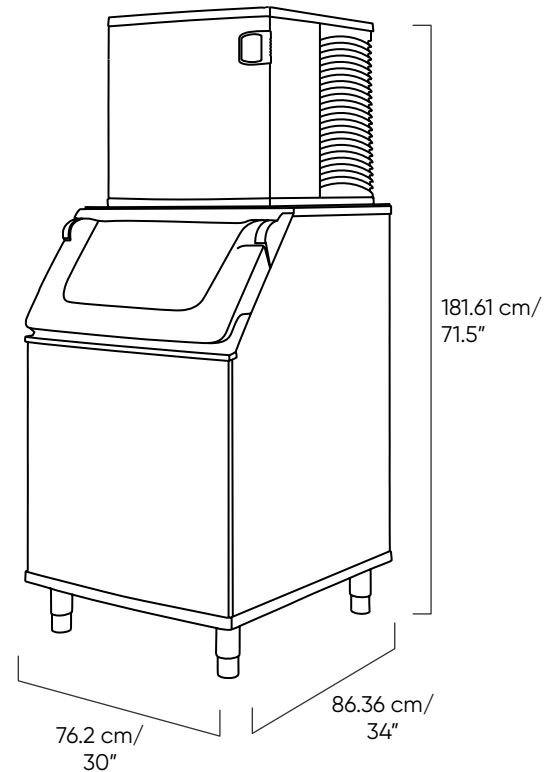


Commercial Bin Ice Machine

- Produces up to 280.82 kg/575 lbs of half-dice ice
- Ice storage of up to 241.32 kg/532 lbs
- Programmable ice production and bin level control with LED display
- State-of-the-art carbon or reverse osmosis filtration
- Luminice™ bacteria inhibitor
- Intelligent diagnostics for trouble-free operation
- Stainless steel finish resists finger prints and dirt

Specifications

Dimensions	181.61 cm h x 76.2 cm w x 86.36 cm d 71.5" h x 30" w x 34" d
Weight	117.03 kg / 258 lbs
Ice Output	Up to 280.82 kg/575 lbs per 24 hours
Ice Storage Capacity	241.32 kg / 532 lbs
Recommended Water Pressure	20-80 psi
Electrical Requirement	Dedicated 115-120V/15 amp circuit
Power Consumption	4.87 kW per 45.36 kg/100 lbs of ice production
Drain Requirement	Needs to be installed within 3 meters/10 feet of a drain
Water Consumption	75.71 liters/20 gal per 45.36 kg/100 lbs of ice production
Clearance	30.48 cm/12" top, 30.48 cm/12" sides, 12.7 cm/5" back
Model Number	998



Quench products are certified by independent authorized 3rd party laboratories in accordance of appropriate industry standards. To find out more about which certifications your product may have, please contact us.