



# Naturizzata Europa 50

- Chilled sparkling water
- Freshly filtered cold and ambient drinking water
- Tap dispensing with bottle filling capabilities of up to 50 liters per hour
- UV light and anti-contamination technology to maintain water cleanliness
- Ice bank cooling technology to keep up with demand
- 48 reusable glass bottles provided



water up 



naturizzata®

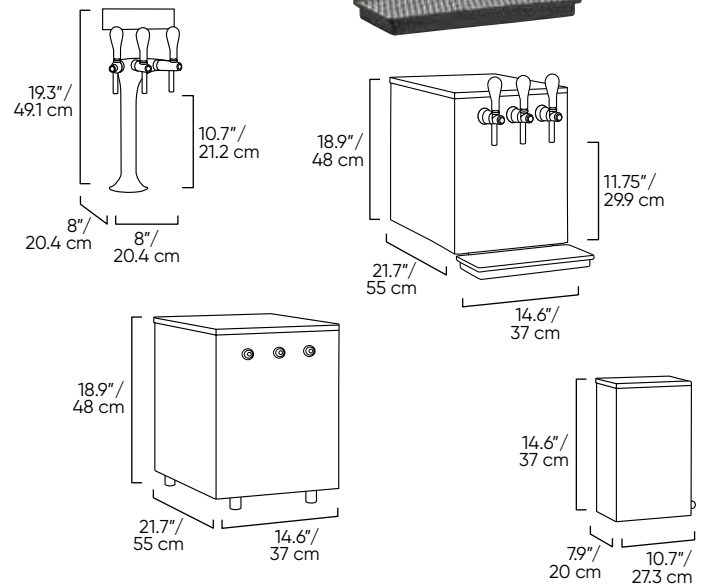
# Naturizzata Europa 50

Upgrade your countertop bottler with the Naturizzata Europa 50 sparkling water dispenser! With its easy-to-use pull tap dispensing, the Naturizzata Europa 50 can produce up to 50 liters of chilled still or sparkling water per hour, perfect for small to medium size restaurants and hospitality venues. The Naturizzata Europa 50 features hygienic technology including UV technology and anti-contamination systems. The Naturizzata Europa 50 is a single unit suitable for installation on top of your drinking station countertop while the Naturizzata Europa 50 Tower is an integrated cobra-style dispensing tap on your countertop with the machine components installed in the cabinets below.



## Countertop Bottle Filling Sparkling Water Dispenser

- Cold, ambient, and chilled sparkling water on-demand
- Tap dispensing
- Dispense height of almost 12" to accommodate bottles and carafes
- UV and anti-contamination technology to maintain cleanliness
- Attractive stainless-steel case
- Requires undercounter space and access
- 48 reusable glass bottles provided
- Available as countertop machine and as integrated tap system installed into the cabinet and countertop as Naturizzata Europa 50 Tower



## Specifications

### Naturizzata Europa 50

Dimensions Above Counter	18.9" h x 11.2" w x 17.7" d/ 48 cm h x 28.5 cm w x 45 cm d
Dimensions Undercounter	14.6" h x 10.7" w x 7.9" d/ 37 cm h x 27.3 cm w x 20 cm d
Dispense height	11.75" / 29.9 cm
Above Counter Weight	90 lbs / 41 kgs
Undercounter Weight	16.6 lbs / 7.5 kgs
Water Options	Cold, ambient, chilled sparkling
Cooling Capacity	13.2 gal / 50 liters
Recommended Water Pressure	36 - 51 psi
Rated Voltages/Frequency	115V / 60Hz
Power Consumption	6 amps
Model	Naturizzata Europa 50

### Naturizzata Europa 50 Tower

Dimensions Above Counter	19.3" h x 8" w x 8" d/ 49.1 cm h x 20.4 cm w x 20.4 cm d (Please leave about 5" / 12.7 cm above the tower for tap usage)
Dimensions Undercounter	Chiller: 18.9" h x 11.2" w x 17.7" d/ 48 cm h x 28.5 cm w x 45 cm d Naturalization Unit: 14.6" h x 10.7" w x 7.9" d/ 37 cm h x 27.3 cm w x 20 cm d
Dispense height	10.7" / 21.2 cm
Above Counter Weight	5 lbs / 2.27 kgs
Undercounter Weight	Chiller: 90 lbs / 41 kgs Naturalization Unit: 16.6 lbs / 7.5 kgs
Water Options	Cold, ambient, chilled sparkling
Cooling Capacity	13.2 gal / 50 liters
Recommended Water Pressure	36 - 51 psi
Rated Voltages/Frequency	115V / 60Hz
Power Consumption	6 amps
Model	Naturizzata Europa 50 Tower

Quench products are certified by independent authorized 3rd party laboratories in accordance of appropriate industry standards. To find out more about which certification your product may have, please contact us.