

# Quench Q12

## Commercial Capacity Bottlefree Water Cooler

- Bottlefree commercial capacity water cooler
- Touchless dispenser with sensor-activation
- Cold, ambient, and hot filtered drinking water
- Antimicrobial surface protection technology
- Dual LED-UV technology for better water quality and system cleanliness



water up 



# Quench Q12

Water up with the Quench Q12! This commercial capacity bottlefree water cooler is a perfect fit for a variety of high-traffic environments, including warehouses, manufacturing operations, large offices, education, hospitality and cafeterias. The Quench Q12 dispenses cold water at an industry leading rate of over 4 liters of drinking water a minute to reduce wait times between users and “keep up with demand.” The Quench Q12 features touchless sensor-activated dispensing and antimicrobial surface protection to ensure safe dispensing as well as an air filter and dual LED UV-C to maintain the quality and cleanliness of the drinking water. Upgrade to the Quench Q12 today!

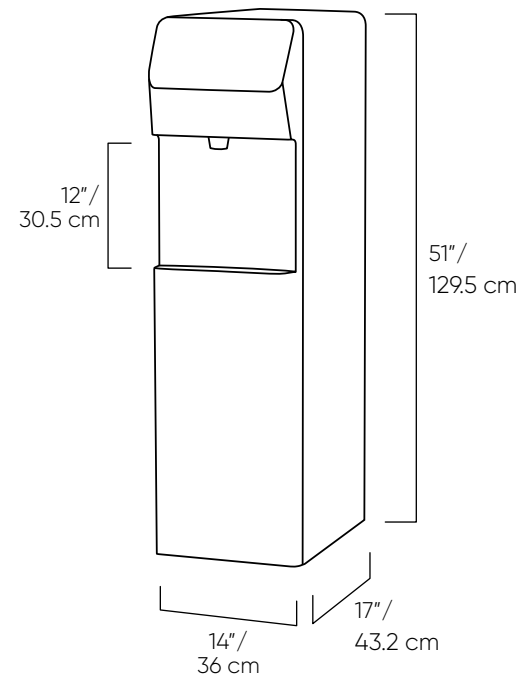


## The Quench Q12 Features:

- Reverse osmosis filtration
- Dispenses an endless supply of cold, hot, and ambient drinking water
- Touchless sensor-activated dispensing with hot water safety feature
- Booster dispense pump with large 12" dispensing area for quick bottle- or canteen-filling
- Dual LED UV-C light and stainless-steel storage tanks to maintain water quality
- Antimicrobial surface protection
- Automatic leak detection and shut-off

## Specifications

Dimensions	51" h x 14" w x 17" d 129.5 cm h x 36 cm w x 43.2 cm
Dispensing Area	12"/30.5 cm
Cold and Ambient Capacity	6 gallons/22.7 liters
Hot Tank Capacity	.53 gallon/2 liters
Filtered Water Production	100 gallons/378.5 liters per day
Recommended Water Pressure	40-60 psi
Rated Voltage/Frequency	120v/60Hz
Power Consumption	3.8 amps
Model Number	Q12 FS



*Quench products are certified by independent authorized 3rd party laboratories in accordance of appropriate industry standards. To find out more about which certifications your product may have, please contact us.*