

Quench Q9

High-Capacity Bottlefree Water Cooler with Firewall®

- Bottlefree high-capacity water cooler with bottle saver counter
- Cold, ambient, hot, and extra hot filtered drinking water on-demand
- Interactive full color LED display with touch button dispensing
- Optional touchless interface available
- Firewall® UV-C technology at the point of dispense for better water quality and system cleanliness



water up



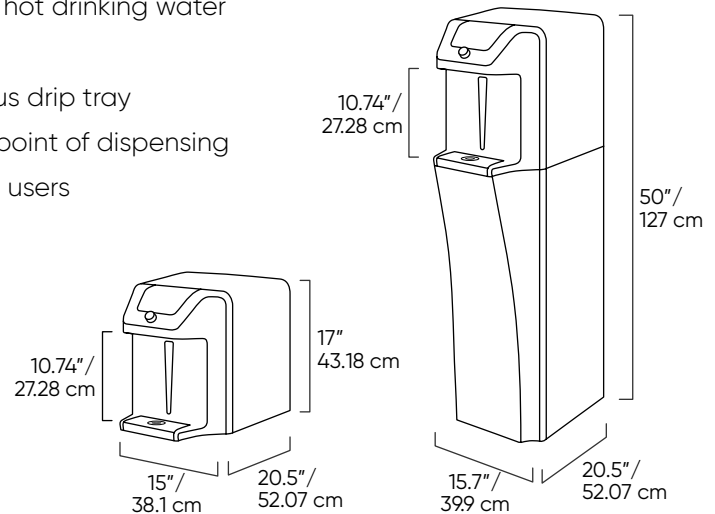
Quench Q9

Elevate your water cooler with the Q9 with Firewall®! The Quench Q9 offers enough cold, ambient, hot and extra hot filtered water on-demand for any office, breakroom, or high-traffic area. The Quench Q9 takes cleanliness to the next level with patented Firewall® UV-C technology at the point of dispense to maintain water cleanliness. The Quench Q9 features a programmable energy saving sleep mode to reduce power consumption and bottles saved counter to track the environmental impact of usage. The Quench Q9 is available as an ergonomically designed freestanding machine or space-saving compact countertop machine.



The Quench Q9 Features:

- State-of-the-art filtration to produce clean, great-tasting drinking water on-demand
- Dispenses an immense supply of cold, ambient, hot, and extra hot drinking water
- Interactive full color LED display with dial dispensing
- Large dispensing area for easy water bottle filling with generous drip tray
- Firewall® UV-C system that maintains water cleanliness at the point of dispensing
- Bottles saved counter to track 16 oz. plastic bottles saved from users
- Filter and UV fault indicators as well as leak prevention system
- Optional touchless interface available



Specifications

Quench Q9 Freestanding

Dimensions	50" H x 15.7" W x 20.5" D/ 127 cm h x 39.9 cm w x 52.07 cm d
Weight	103 lbs./46.8 kgs
Dispensing Area	10.74"/27.28 cm
Cold Tank Capacity	4.0 gal/15.2 liters/hr.
Hot Tank Capacity	0.4 gal/1.5 liter
Recommended Water Pressure	40 – 60 psi
Rated Voltage/Frequency	120V/60Hz
Model Number	Q9 FS

Quench Q9 Countertop

Dimensions	17" H x 15" W x 20.5" D/ 43.18 cm h x 38.1 cm w x 52.07 cm d
Weight	66 lbs./30 kgs.
Dispensing Area Height	10.74"/27.28 cm
Cold Tank Capacity	4.0 gal/15.2 liters/hr.
Hot Tank Capacity	0.4 gal/1.5 liter
Recommended Water Pressure	40 – 60 psi
Rated Voltage/Frequency	120V/60Hz
Model Number	Q9 CT

Quench products are certified by independent authorized 3rd party laboratories in accordance with appropriate industry standards. To find out more about which certifications your product may have, please contact us.