



# Quench 565

## High-Capacity Sparkling Water Dispenser

- Cold and room temperature filtered water
- Chilled sparkling water
- Tap dispensing
- Ice bank cooling technology
- Space-saving countertop design



water up



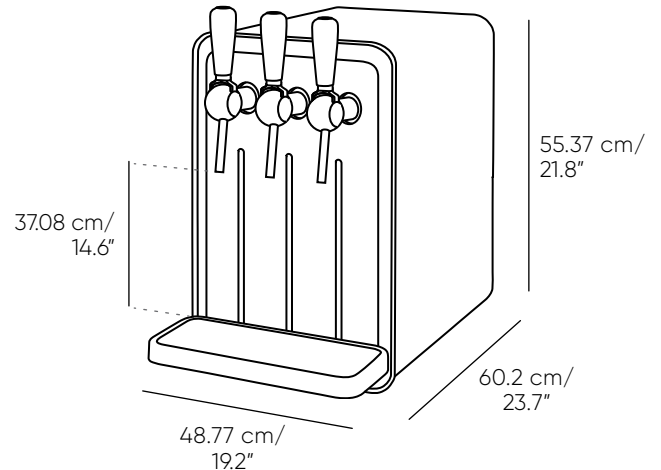
# Quench 565

The Quench 565 is a modern commercial grade filtered still and sparkling water dispensing system. The Quench 565 offers a large dispensing area with pull-top dispensing, perfect for quick-filling large glasses and carafes. The Quench 565 has a cooling capacity of 40 gallons per hour, perfect for most office cafeterias, small restaurants, and busy waiting rooms.



## High-Capacity Sparkling Water Dispenser

- Cold and room temperature filtered water
- Chilled sparkling water
- Ice bank cooling technology
- Tap dispensing
- Dispensing height of 14.6" to accommodate large glasses or carafes
- Safety inlet valve for quick shut-off
- Attractive stainless steel case



## Specifications

### Quench 565

Dimensions	55.37 cm h x 48.77 cm w x 60.2 cm d / 21.8" h x 19.2" w x 23.7" d
Dispensing Height	37.08 cm / 14.6"
Weight	45.81 kg / 101 lbs
Water Options	Cold, room temperature, sparkling
Cooling Capacity	151.42 liters per hr / 40 gal per hr
Continuous Cold Water Supply	75.71 liters / 20 gallons
Cooling Technology	Ice bank
Recommended Water Pressure	50 - 80 psi
Rated Voltage/Frequency	115V/60Hz
Power Consumption	885 W - 8.35 Amps
Model Number	565

*Quench products are certified by independent authorized 3rd party laboratories in accordance of appropriate industry standards. To find out more about which certification your product may have, please contact us.*